



Luminaire

Lina80-S

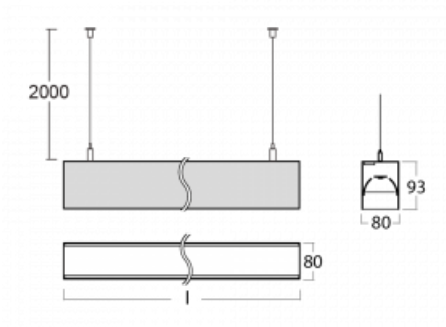
11S-501B-15GGM3/840, W



EPD®

Lina80-S luminaires are available in recessed, surface, suspended or wall mounted versions, including the illuminated corner segments. Lina80-S system luminaire can be used to create different shapes or long lines, with special joints that prevent any light to shine through, creating thus a seamless visual effect, suitable for small offices as well as big halls.

Technical drawing



Type of installation Wall mounted, Suspended

Light distribution Direct-indirect

Luminaire shape Linear

Colour of the luminaires White

Material Aluminium

Lifetime L90/B50 50 000 hours

Warranty 2 years

Description of luminaires Luminaire wall mounted/suspended

Dimensions 842 mm × 80 mm × 93 mm

Light source LED MODUL

Type of optical system Microprisma low UGR

Luminous flux 3450 lm ± 10 %

Colour Temperature 4000 K cool white

Luminous efficacy 130 lm/W

MacAdam Light source 2

Colour rendering index 80

UGR max. X=4H 15.9
Y=8H, ρ=70,50,20

Luminaire power input	26.5 W \pm 10 %
Connection of the luminaires	Electronic ballast non-dimmable with 3h emergency
Electrical voltage	220-240V
Frequency	50/60Hz

 **CE** IP 40

Downloads

Installation instructions



Photos



Accessories

00-00200, N
 straight connector

00-00300, N
 wire suspension
 2000mm

00-00301, N
 wire suspension
 4000mm

00-00302, N
 wire suspension
 6000mm

00-00355, K
 cable 5x0,75 2000mm

00-00356, K
 cable 5x0,75 4000mm

00-00363, K
 cable 5x1,5 2000mm

00-00364, K
 cable 5x1,5 4000mm

00-00365, K
 cable 5x1,5 6000mm

00-00366, K
 cable 7x0,75 2000mm

00-00367, K
 cable 7x0,75 4000mm

00-00368, K
 cable 7x0,75 6000mm

00-00370, W
 ceiling cup 80x80x32mm

00-01200, F
 Accessory for gear-tray
 release

00-20101, W
 2xend cap - metal, 5-
 conductor terminal box,
 grommet; Lipo80/Lina80

00-20103, W
 2xend cap - plastic, 5-
 conductor terminal box,
 grommet; Lipo80/Lina80

00-20700, W
 2 pcs of wall fastening
 Lipo/Lina

00-51300, W
 set for suspension into
 3-phase track, non-
 dimmable luminaires