



## Luminaire

# Lina80-S

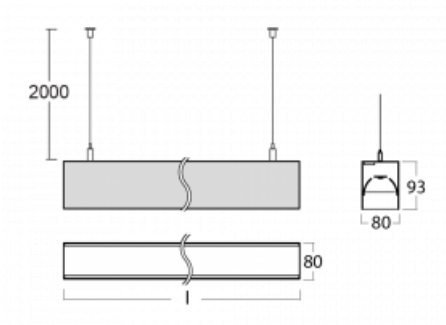
11S-501B-15GGM3/830, W



EPD®

Lina80-S luminaires are available in recessed, surface, suspended or wall mounted versions, including the illuminated corner segments. Lina80-S system luminaire can be used to create different shapes or long lines, with special joints that prevent any light to shine through, creating thus a seamless visual effect, suitable for small offices as well as big halls.

## Technical drawing



Type of installation Wall mounted, Suspended

Light distribution Direct-indirect

Luminaire shape Linear

Colour of the luminaires White

Material Aluminium

Lifetime L90/B50 50 000 hours

Warranty 2 years

Description of luminaires Luminaire wall mounted/suspended

Dimensions 842 mm × 80 mm × 93 mm

Light source LED MODUL

Type of optical system Microprisma low UGR

Luminous flux 3310 lm ± 10 %

Colour Temperature 3000 K warm white

Luminous efficacy 125 lm/W

MacAdam Light source 2

Colour rendering index 80

UGR max. X=4H Y=8H,  $\rho=70,50,20$  16.7

Luminaire power input	26.5 W $\pm$ 10 %
Connection of the luminaires	Electronic ballast non-dimmable with 3h emergency
Electrical voltage	220-240V
Frequency	50/60Hz

 **CE** IP 40

## Downloads

Installation instructions



Photos



**Accessories**

**00-00200, N**  
 straight connector

**00-00300, N**  
 wire suspension  
 2000mm

**00-00301, N**  
 wire suspension  
 4000mm

**00-00302, N**  
 wire suspension  
 6000mm

**00-00355, K**  
 cable 5x0,75 2000mm

**00-00356, K**  
 cable 5x0,75 4000mm

**00-00363, K**  
 cable 5x1,5 2000mm

**00-00364, K**  
 cable 5x1,5 4000mm

**00-00365, K**  
 cable 5x1,5 6000mm

**00-00366, K**  
 cable 7x0,75 2000mm

**00-00367, K**  
 cable 7x0,75 4000mm

**00-00368, K**  
 cable 7x0,75 6000mm

**00-00370, W**  
 ceiling cup 80x80x32mm

**00-01200, F**  
 Accessory for gear-tray  
 release

**00-20101, W**  
 2xend cap - metal, 5-  
 conductor terminal box,  
 grommet; Lipo80/Lina80

**00-20103, W**  
 2xend cap - plastic, 5-  
 conductor terminal box,  
 grommet; Lipo80/Lina80

**00-20700, W**  
 2 pcs of wall fastening  
 Lipo/Lina

**00-51300, W**  
 set for suspension into  
 3-phase track, non-  
 dimmable luminaires