



Luminaire

Lina80-S

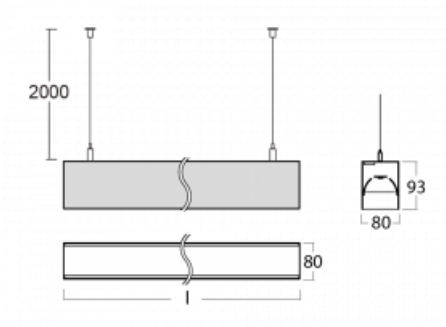
11S-501B-10GGM3/830, S



EPD®

Lina80-S luminaires are available in recessed, surface, suspended or wall mounted versions, including the illuminated corner segments. Lina80-S system luminaire can be used to create different shapes or long lines, with special joints that prevent any light to shine through, creating thus a seamless visual effect, suitable for small offices as well as big halls.

Technical drawing



Type of installation Wall mounted, Suspended

Light distribution Direct-indirect

Luminaire shape Linear

Colour of the luminaires Silver

Material Aluminium

Lifetime L90/B50 50 000 hours

Warranty 2 years

Description of luminaires Luminaire wall mounted/suspended

Dimensions 561 mm × 80 mm × 93 mm

Light source LED MODUL

Type of optical system MP PRO UGR

Luminous flux 1980 lm

Colour Temperature 3000 K warm white

Luminous efficacy 121 lm/W

MacAdam Light source 2

Colour rendering index 80

UGR max. X=4H 16.3
Y=8H, $\rho=70,50,20$

Luminaire power input	16.3 W
Connection of the luminaires	ON/OFF + 3h emergency
Electrical voltage	220-240V
Frequency	50/60Hz

 **CE** IP 40

*±10 %

Downloads

Installation instructions



Photos



Accessories


00-00200, N
straight connector



00-00300, N
wire suspension
2000mm



00-00301, N
wire suspension
4000mm



00-00302, N
wire suspension
6000mm



00-00355, K
cable 5x0,75 2000mm



00-00356, K
cable 5x0,75 4000mm



00-00363, K
cable 5x1,5 2000mm



00-00364, K
cable 5x1,5 4000mm



00-00365, K
cable 5x1,5 6000mm



00-00366, K
cable 7x0,75 2000mm



00-00367, K
cable 7x0,75 4000mm



00-00368, K
cable 7x0,75 6000mm



00-00370, S
ceiling cup 80x80x32mm



00-01200, F
Accessory for gear-tray
release



00-20101, S
2xend cap - metal, 5-
conductor terminal box,
grommet; Lipo80/Lina80



00-20103, S
2xend cap - plastic, 5-
conductor terminal box,
grommet; Lipo80/Lina80



00-20700, S
2 pcs of wall fastening
Lipo/Lina



00-51300, S
set for suspension into
3-phase track, non-
dimmable luminaires