



Luminaire

Lina80

11-501B-35GGE/830, W



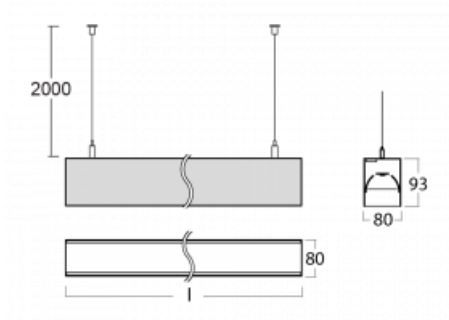
| | |
|---------------------------|-------------------------|
| Type of installation | Suspended |
| Light distribution | Direct-indirect |
| Luminaire shape | Linear |
| Colour of the luminaires | White |
| Material | Aluminium |
| Lifetime | L90/B50 50 000 hours |
| Warranty | 5 years |
| Description of luminaires | Luminaire suspended |
| Dimensions | 1969 mm × 80 mm × 93 mm |
| Light source | LED MODUL |



Lina80 luminaires with an easy L-Click system feature an elegant and classic linear design with excellent illumination characteristics with both ceiling mounted and suspended versions, allowing them to fit into almost any space. Lina80 lighting is the right solution for offices, business, social and cultural spaces, as well as households and restaurants. With Tunable White, you set the white color temperature according to the time of day. The light thus provides optimal light helping you to focus on and concentrate on the work.

| | |
|-----------------------------------|---------------------|
| Type of optical system | Microprisma low UGR |
| Luminous flux | 8610 lm ± 10 % |
| Colour Temperature | 3000 K warm white |
| Luminous efficacy | 128 lm/W |
| MacAdam Light source | 2 |
| Colour rendering index | 80 |
| UGR max. X=4H Y=8H, ρ=70,50,20 | 17.1 |

Technical drawing



Luminaire power input 67.2 W \pm 10 %

Connection of the luminaires Electronic ballast non-dimmable

Electrical voltage 220-240V

Frequency 50/60Hz

 **CE** IP 40

Downloads

Installation instructions



Photos

