

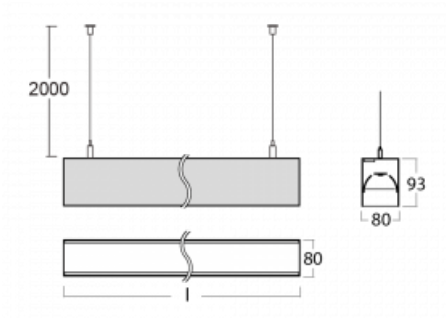

**Luminaire**

# Lina80

11-501B-30GGE/830, B


**EPD<sup>®</sup>**

Lina80 luminaires with an easy L-Click system feature an elegant and classic linear design with excellent illumination characteristics with both ceiling mounted and suspended versions, allowing them to fit into almost any space. Lina80 lighting is the right solution for offices, business, social and cultural spaces, as well as households and restaurants. With Tunable White, you set the white color temperature according to the time of day. The light thus provides optimal light helping you to focus on and concentrate on the work.

**Technical drawing**


Type of installation	Suspended
Light distribution	Direct-indirect
Luminaire shape	Linear
Colour of the luminaires	Black
Material	Aluminium
Lifetime	L90/B50 50 000 hours
Warranty	5 years
Description of luminaires	Luminaire suspended
Dimensions	1688 mm × 80 mm × 93 mm
Light source	LED MODUL
Type of optical system	Microprisma low UGR
Luminous flux	7290 lm ± 10 %
Colour Temperature	3000 K warm white
Luminous efficacy	130 lm/W
MacAdam Light source	2
Colour rendering index	80
UGR max. X=4H Y=8H, ρ=70,50,20	17

Luminaire power input 56.2 W  $\pm$  10 %

---

Connection of the luminaires Electronic ballast non-dimmable

---

Electrical voltage 220-240V

---

Frequency 50/60Hz

---

 **CE** IP 40

## Downloads

Installation instructions



Photos

