



Luminaire

Lina80-S

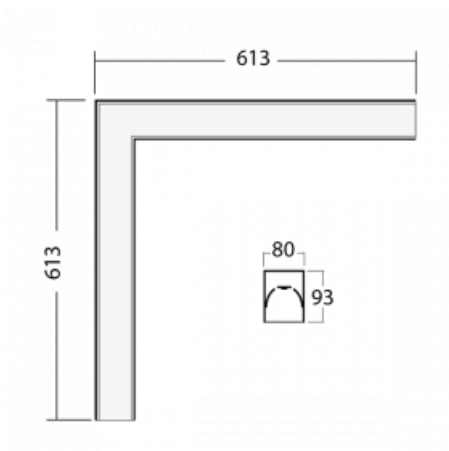
05S-220K-20GHTD/840, W



EPD®

Lina80-S luminaires are available in recessed, surface, suspended or wall mounted versions, including the illuminated corner segments. Lina80-S system luminaire can be used to create different shapes or long lines, with special joints that prevent any light to shine through, creating thus a seamless visual effect, suitable for small offices as well as big halls.

Technical drawing



| | |
|-----------------------------------|---|
| Type of installation | Recessed, Surface, Wall mounted, Suspended, 3 circuit track |
| Light distribution | Direct |
| Luminaire shape | Corner |
| Colour of the luminaires | White |
| Material | Aluminium |
| Lifetime | L80/B10 70 000 hours |
| Warranty | 60 months |
| Description of luminaires | Luminaire recessed/surface/wall mounted/suspended/3 circuit track |
| Dimensions | 613 mm × 613 mm × 93 mm |
| Weight | 0.9 kg |
| Light source | LED MODUL |
| Type of optical system | Opal diffuser |
| Luminous flux | 5350 lm ± 10 % |
| Colour Temperature | 4000 K cool white |
| Luminous efficacy | 122 lm/W |
| MacAdam Light source | 2 |
| Colour rendering index | 80 |
| UGR max. X=4H Y=8H, ρ=70,50,20 | 26.5 |

| | |
|------------------------------|---|
| Luminaire power input | 43.8 W \pm 10 % |
| Connection of the luminaires | DALI or by switch (touch dimm) dimmable |
| Electrical voltage | 220-240V |
| Frequency | 50/60Hz |

 **CE** IP 40

Downloads

Installation instructions



Photos

