



Luminaire

Lina80-S

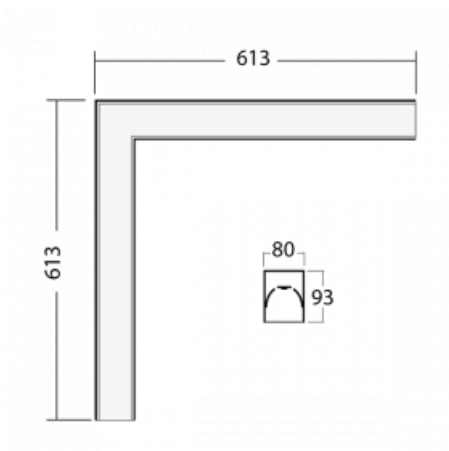
05S-220K-20GHTD/830, W



EPD®

Lina80-S luminaires are available in recessed, surface, suspended or wall mounted versions, including the illuminated corner segments. Lina80-S system luminaire can be used to create different shapes or long lines, with special joints that prevent any light to shine through, creating thus a seamless visual effect, suitable for small offices as well as big halls.

Technical drawing



Type of installation	Recessed, Surface, Wall mounted, Suspended, 3 circuit track
Light distribution	Direct
Luminaire shape	Corner
Colour of the luminaires	White
Material	Aluminium
Lifetime	L80/B10 70 000 hours
Warranty	60 months
Description of luminaires	Luminaire recessed/surface/wall mounted/suspended/3 circuit track
Dimensions	613 mm × 613 mm × 93 mm
Weight	0.9 kg
Light source	LED MODUL
Type of optical system	Opal diffuser
Luminous flux	5090 lm ± 10 %
Colour Temperature	3000 K warm white
Luminous efficacy	116 lm/W
MacAdam Light source	2
Colour rendering index	80
UGR max. X=4H Y=8H, ρ=70,50,20	28.7

Luminaire power input	43.8 W \pm 10 %
Connection of the luminaires	DALI or by switch (touch dimm) dimmable
Electrical voltage	220-240V
Frequency	50/60Hz

 **CE** IP 40

Downloads

Installation instructions



Photos

