

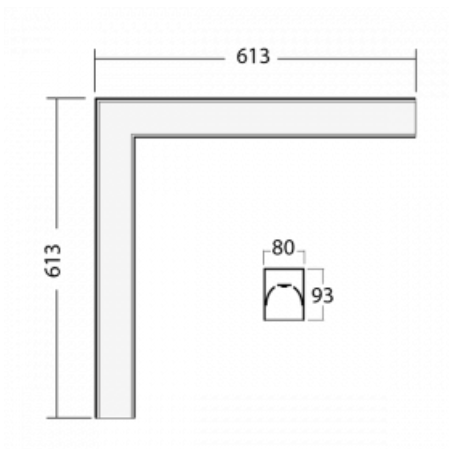

Luminaire

Lina80-S

05S-220K-20GED/830, S


EPD®

Lina80-S luminaires are available in recessed, surface, suspended or wall mounted versions, including the illuminated corner segments. Lina80-S system luminaire can be used to create different shapes or long lines, with special joints that prevent any light to shine through, creating thus a seamless visual effect, suitable for small offices as well as big halls.

Technical drawing


Type of installation	Recessed, Surface, Wall mounted, Suspended, 3 circuit track
Light distribution	Direct
Luminaire shape	Corner
Colour of the luminaires	Silver
Material	Aluminium
Lifetime	L90/B50 50 000 hours
Warranty	5 years
Description of luminaires	Luminaire recessed/surface/wall mounted/suspended/3 circuit track
Dimensions	613 mm × 613 mm × 93 mm
Weight	5.2 kg
Light source	LED MODUL
Type of optical system	Opal diffuser
Luminous flux*	2030 lm
Colour Temperature	3000 K warm white
Luminous efficacy	137 lm/W
MacAdam Light source	2
Colour rendering index	80
UGR max. X=4H Y=8H, ρ=70,50,20	20.8

Luminaire power input* 14.8 W

Connection of the luminaires DALI

Electrical voltage 220-240V

Frequency 50/60Hz

 **CE** IP 40

*±10 %

Downloads

Installation instructions



Photos

