

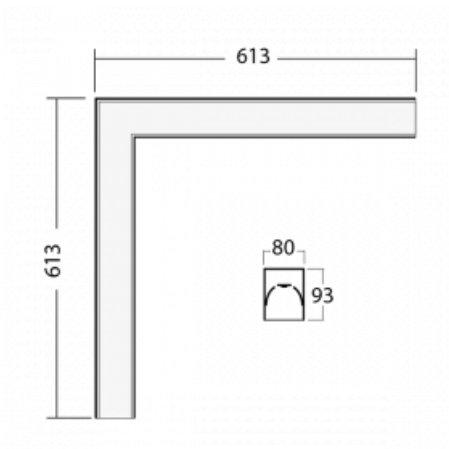

Luminaire

Lina80-S

05S-220I-20GHE/840, W


EPD[®]

Lina80-S luminaires are available in recessed, surface, suspended or wall mounted versions, including the illuminated corner segments. Lina80-S system luminaire can be used to create different shapes or long lines, with special joints that prevent any light to shine through, creating thus a seamless visual effect, suitable for small offices as well as big halls.

Technical drawing


| | |
|-----------------------------------|---|
| Type of installation | Recessed, Surface, Wall mounted, Suspended, 3 circuit track |
| Light distribution | Direct |
| Luminaire shape | Corner |
| Colour of the luminaires | White |
| Material | Aluminium |
| Lifetime | L80/B10 70 000 hours |
| Warranty | 60 months |
| Description of luminaires | Luminaire recessed/surface/wall mounted/suspended/3 circuit track |
| Dimensions | 613 mm × 613 mm × 93 mm |
| Light source | LED MODUL |
| Type of optical system | Microprisma |
| Luminous flux | 4490 lm ± 10 % |
| Colour Temperature | 4000 K cool white |
| Luminous efficacy | 103 lm/W |
| MacAdam Light source | 2 |
| Colour rendering index | 80 |
| UGR max. X=4H Y=8H, ρ=70,50,20 | 22.2 |

Luminaire power input 43.8 W \pm 10 %

Connection of the luminaires Electronic ballast non-dimmable

Electrical voltage 220-240V

Frequency 50/60Hz

 **CE** IP 40

Downloads

Installation instructions



Photos

