

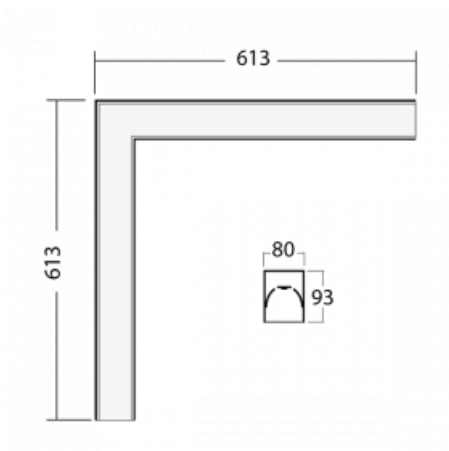

**Luminaire**

# Lina80-S

05S-220I-20GETD/830, B


**EPD<sup>®</sup>**

Lina80-S luminaires are available in recessed, surface, suspended or wall mounted versions, including the illuminated corner segments. Lina80-S system luminaire can be used to create different shapes or long lines, with special joints that prevent any light to shine through, creating thus a seamless visual effect, suitable for small offices as well as big halls.

**Technical drawing**


|                                   |   |
|-----------------------------------|---|
| Type of installation              | Recessed, Surface, Wall mounted, Suspended, 3 circuit track       |
| Light distribution                | Direct  |
| Luminaire shape                   | Corner  |
| Colour of the luminaires          | Black   |
| Material                          | Aluminium   |
| Lifetime                          | L90/B50 50 000 hours  |
| Warranty                          | 60 months   |
| Description of luminaires         | Luminaire recessed/surface/wall mounted/suspended/3 circuit track |
| Dimensions                        | 613 mm × 613 mm × 93 mm   |
| Light source                      | LED MODUL   |
| Type of optical system            | Microprisma   |
| Luminous flux                     | 900 lm ± 10 %   |
| Colour Temperature                | 3000 K warm white   |
| Luminous efficacy                 | 115 lm/W  |
| MacAdam Light source              | 2   |
| Colour rendering index            | 80  |
| UGR max. X=4H<br>Y=8H, ρ=70,50,20 | 16.6  |

|                              |   |
|------------------------------|---|
| Luminaire power input        | 7.8 W $\pm$ 10 %                        |
| Connection of the luminaires | DALI or by switch (touch dimm) dimmable |
| Electrical voltage           | 220-240V                                |
| Frequency                    | 50/60Hz                                 |

 **CE** IP 40

## Downloads

Installation instructions



Photos

