



Luminaire

Lina80-S

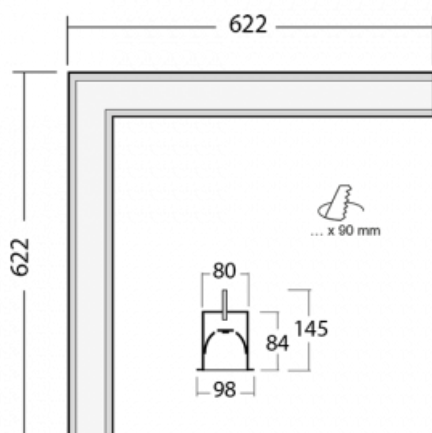
05S-020I-20GEE/830, S



EPD®

Lina80-S luminaires are available in recessed, surface, suspended or wall mounted versions, including the illuminated corner segments. Lina80-S system luminaire can be used to create different shapes or long lines, with special joints that prevent any light to shine through, creating thus a seamless visual effect, suitable for small offices as well as big halls.

Technical drawing



| | |
|-----------------------------------|-------------------------|
| Type of installation | Recessed |
| Light distribution | Direct |
| Luminaire shape | Corner |
| Colour of the luminaires | Silver |
| Material | Aluminium |
| Lifetime | L90/B50 50 000 hours |
| Warranty | 60 months |
| Description of luminaires | Luminaire recessed |
| Dimensions | 622 mm × 622 mm × 84 mm |
| Light source | LED MODUL |
| Type of optical system | Microprisma |
| Luminous flux | 900 lm ± 10 % |
| Colour Temperature | 3000 K warm white |
| Luminous efficacy | 115 lm/W |
| MacAdam Light source | 2 |
| Colour rendering index | 80 |
| UGR max. X=4H Y=8H, ρ=70,50,20 | 16.6 |

Luminaire power input 7.8 W \pm 10 %

Connection of the luminaires Electronic ballast non-dimmable

Electrical voltage 220-240V

Frequency 50/60Hz

 **CE** IP 40

Downloads

Installation instructions



Photos

