



## Luminaire

# Lina80-S

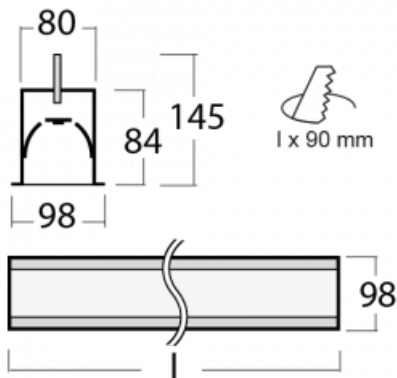
05S-000K-40GHE/830, S



EPD®

Lina80-S luminaires are available in recessed, surface, suspended or wall mounted versions, including the illuminated corner segments. Lina80-S system luminaire can be used to create different shapes or long lines, with special joints that prevent any light to shine through, creating thus a seamless visual effect, suitable for small offices as well as big halls.

## Technical drawing



Type of installation	Recessed
Light distribution	Direct
Luminaire shape	Linear
Colour of the luminaires	Silver
Material	Aluminium
Lifetime	L80/B10 70 000 hours
Warranty	60 months
Description of luminaires	Luminaire recessed
Dimensions	2244 mm × 98 mm × 84 mm
Light source	LED MODUL
Type of optical system	Opal diffuser
Luminous flux	10200 lm ± 10 %
Colour Temperature	3000 K warm white
Luminous efficacy	116 lm/W
MacAdam Light source	2
Colour rendering index	80
UGR max. X=4H Y=8H, ρ=70,50,20	26.6

Luminaire power input 87.6 W  $\pm$  10 %

---

Connection of the luminaires Electronic ballast non-dimmable

---

Electrical voltage 220-240V

---

Frequency 50/60Hz

---

 **CE** IP 40

## Downloads

Installation instructions



Photos



## Accessories



**00-00100, S**  
2xend cap - metal, 3-  
conductor terminal box,  
grommet; Lipo80



**00-00200, N**  
straight connector



**00-00500**  
wire for emergency  
lighting XX-XXXX-20



**00-01200, F**  
Accessory for gear-tray  
release