

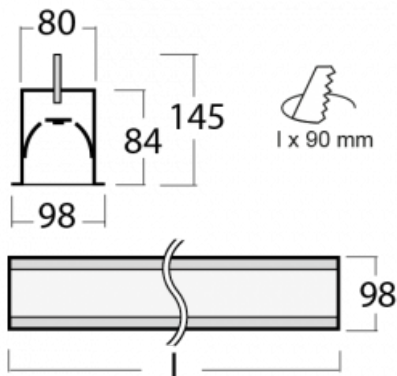

**Luminaire**

# Lina80-S

05S-000I-60GGTD/830, S


**EPD®**

Lina80-S luminaires are available in recessed, surface, suspended or wall mounted versions, including the illuminated corner segments. Lina80-S system luminaire can be used to create different shapes or long lines, with special joints that prevent any light to shine through, creating thus a seamless visual effect, suitable for small offices as well as big halls.

**Technical drawing**


Type of installation	Recessed
Light distribution	Direct
Luminaire shape	Linear
Colour of the luminaires	Silver
Material	Aluminium
Lifetime	L90/B50 60 000 hours
Warranty	5 years
Description of luminaires	Luminaire recessed
Dimensions	3366 mm × 98 mm × 84 mm
Light source	LED MODUL
Type of optical system	Microprisma
Luminous flux*	7790 lm
Colour Temperature	3000 K warm white
Luminous efficacy	105 lm/W
MacAdam Light source	2
Colour rendering index	80
UGR max. X=4H Y=8H, ρ=70,50,20	20.3

Luminaire power input\* 74.4 W

---

Connection of the luminaires Other type of dimming

---

Electrical voltage 220-240V

---

Frequency 50/60Hz

---

 **CE** IP 40

\*±10 %

## Downloads

Installation instructions



Photos



## Accessories



**00-00101, S**  
2x end cap - metal, 5-  
conductor terminal box,  
grommet; Lipo80



**00-00200, N**  
straight connector



**00-01200, F**  
Accessory for gear-tray  
release