



Luminaire

Lina80-S

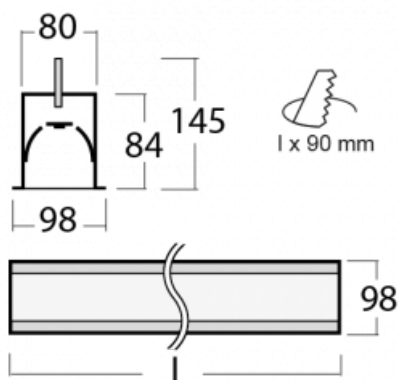
05S-000I-60GGE/840, B



EPD®

Lina80-S luminaires are available in recessed, surface, suspended or wall mounted versions, including the illuminated corner segments. Lina80-S system luminaire can be used to create different shapes or long lines, with special joints that prevent any light to shine through, creating thus a seamless visual effect, suitable for small offices as well as big halls.

Technical drawing



Type of installation	Recessed
Light distribution	Direct
Luminaire shape	Linear
Colour of the luminaires	Black
Material	Aluminium
Lifetime	L90/B50 60 000 hours
Warranty	60 months
Description of luminaires	Luminaire recessed
Dimensions	3366 mm × 98 mm × 84 mm
Light source	LED MODUL
Type of optical system	Microprisma
Luminous flux	8180 lm ± 10 %
Colour Temperature	4000 K cool white
Luminous efficacy	110 lm/W
MacAdam Light source	2
Colour rendering index	80
UGR max. X=4H Y=8H, ρ=70,50,20	20.5

Luminaire power input 74.4 W \pm 10 %

Connection of the luminaires Electronic ballast non-dimmable

Electrical voltage 220-240V

Frequency 50/60Hz

 **CE** IP 40

Downloads

Installation instructions



Photos



Accessories



00-00100, B
2xend cap - metal, 3-
conductor terminal box,
grommet; Lipo80



00-00200, N
straight connector



00-00500
wire for emergency
lighting XX-XXXX-20



00-01200, F
Accessory for gear-tray
release