



Type of installation	Suspended
Light distribution	Direct
Luminaire shape	Linear
Colour of the luminaires	Silver
Material	Aluminium
Lifetime	L90/B50 60 000 hours
Warranty	5 years
Description of luminaires	Luminaire suspended
Dimensions	1408 mm × 80 mm × 93 mm
Light source	LED MODUL

## Luminaire

# Lina80

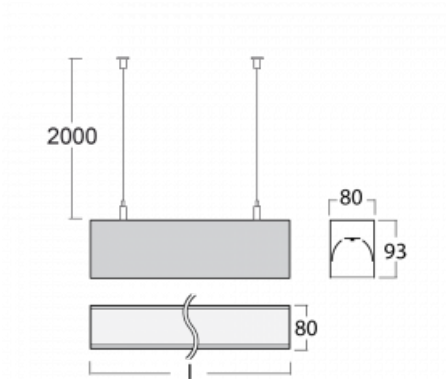
05-500I-25GETD/840, S



Lina80 luminaires with an easy L-Click system feature an elegant and classic linear design with excellent illumination characteristics with both ceiling mounted and suspended versions, allowing them to fit into almost any space. Lina80 lighting is the right solution for offices, business, social and cultural spaces, as well as households and restaurants. With Tunable White, you set the white color temperature according to the time of day. The light thus provides optimal light helping you to focus on and concentrate on the work.

Type of optical system	Microprisma
Luminous flux*	1180 lm
Colour Temperature	4000 K cool white
Luminous efficacy	120 lm/W
MacAdam Light source	2
Colour rendering index	80
UGR max. X=4H Y=8H, $\rho=70,50,20$	16.8

## Technical drawing



Luminaire power input\* 9.8 W

---

Connection of the luminaires Other type of dimming

---

Electrical voltage 220-240V

---

Frequency 50/60Hz

---

  IP 40

\*±10 %

## Downloads

Installation instructions



Photos

