



Luminaire

Lina80

05-500I-15GHD/840, W



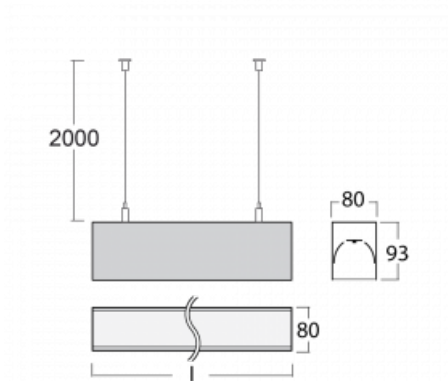
Type of installation	Suspended
Light distribution	Direct
Luminaire shape	Linear
Colour of the luminaires	White
Material	Aluminium
Lifetime	L80/B10 70 000 hours
Warranty	5 years
Description of luminaires	Luminaire suspended
Dimensions	842 mm × 80 mm × 93 mm
Light source	LED MODUL



Lina80 luminaires with an easy L-Click system feature an elegant and classic linear design with excellent illumination characteristics with both ceiling mounted and suspended versions, allowing them to fit into almost any space. Lina80 lighting is the right solution for offices, business, social and cultural spaces, as well as households and restaurants. With Tunable White, you set the white color temperature according to the time of day. The light thus provides optimal light helping you to focus on and concentrate on the work.

Type of optical system	Microprisma
Luminous flux*	3370 lm
Colour Temperature	4000 K cool white
Luminous efficacy	102 lm/W
MacAdam Light source	2
Colour rendering index	80
UGR max. X=4H Y=8H, ρ=70,50,20	22.2

Technical drawing



Luminaire power input* 32.9 W

Connection of the luminaires DALI

Electrical voltage 220-240V

Frequency 50/60Hz

   IP 40

*±10 %

Downloads

Installation instructions



Photos

