



Luminaire

Lina60-S

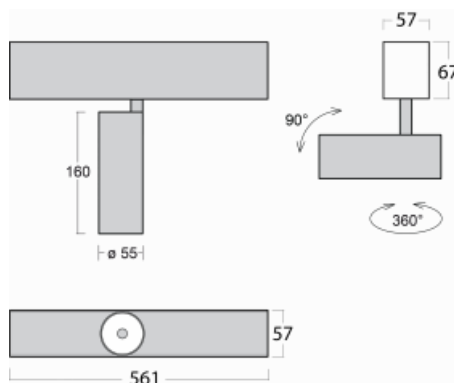
04S-200W-10GGE/930, S



EPD®

You will appreciate the L-Click system on the Lina60-S luminaire with a direct light distribution, which effectively saves you both time and money. How? The module simply clicks into the profile, so a lot of work is saved during assembly. This solution also prevents the direct touch of the LED technology and lengthens its operating life. The Lina60-S lighting system can be assembled creating endless lines and a big variety of shapes. In addition to great power output, the luminaire also has a great price. It will find its use in commercial, social and public spaces.

Technical drawing



| | |
|--|---|
| Type of installation | Recessed, Surface, Wall mounted, Suspended |
| Light distribution | Direct |
| Luminaire shape | Linear |
| Colour of the luminaires | Silver |
| Material | Aluminium |
| Lifetime | L80/B20 50 000 hours |
| Warranty | 60 months |
| Description of luminaires | Luminaire recessed/surface/wall mounted/suspended |
| Dimensions | 561 mm × 57 mm × 67 mm |
| Light source | LED MODUL |
| Type of optical system | Reflector |
| Luminous flux | 1650 lm ± 10 % |
| Colour Temperature | 3000 K warm white |
| Luminous efficacy | 83 lm/W |
| MacAdam Light source | 3 |
| Colour rendering index | 90 |
| Beam angle | 68° |
| UGR max. X=4H Y=8H, $\rho=70,50,20$ | 24.3 |

Curve



Luminaire power input 20 W ± 10 %

Connection of the luminaire Electronic ballast non-dimmable

Electrical voltage 220-240V

Frequency 50/60Hz

⊕ CE IP 20

Downloads

Installation instructions



Photos



Accessories


00-00300, N
wire suspension
2000mm



00-00301, N
wire suspension
4000mm



00-00302, N
wire suspension
6000mm



00-00350, K
cable 3x0,75 1000mm



00-00352, K
cable 3x0,75 2000mm



00-00358, K
cable 3x0,75 4000mm



00-00360, K
cable 3x0,75 6000mm



00-00370, S
ceiling cup 80x80x32mm



00-00500
wire for emergency
lighting XX-XXXX-20



00-00600, F
ceiling fastening for
luminaires 132-5xxK,
04-2000x, 05-2000x,
09-200x - 1 piece



00-20700, B
2 pcs of wall fastening
Lipo/Lina



04-00200, N
straight connector



04-01200, F
Accessory for gear-tray
release



04-20100, S
2xend cap - metal, 3-
conductor terminal box,
grommet



04-20102, S
2xend cap - plastic, 3-
conductor terminal box,
grommet



04-20900, F
bracket for installation
of suspended type of
profile as recessed
trimless