



Luminaire

Lina60-S

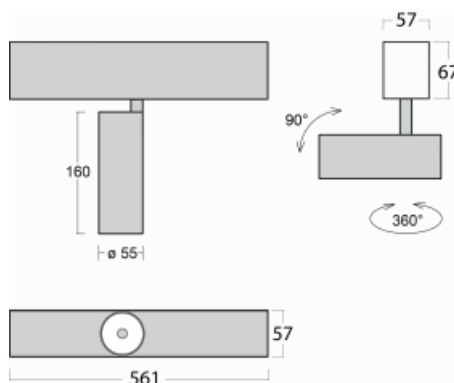
04S-200U-10GDE/940, S



EPD®

You will appreciate the L-Click system on the Lina60-S luminaire with a direct light distribution, which effectively saves you both time and money. How? The module simply clicks into the profile, so a lot of work is saved during assembly. This solution also prevents the direct touch of the LED technology and lengthens its operating life. The Lina60-S lighting system can be assembled creating endless lines and a big variety of shapes. In addition to great power output, the luminaire also has a great price. It will find its use in commercial, social and public spaces.

Technical drawing



Type of installation	Recessed, Surface, Wall mounted, Suspended
Light distribution	Direct
Luminaire shape	Linear
Colour of the luminaires	Silver
Material	Aluminium
Lifetime	L80/B20 50 000 hours
Warranty	60 months
Description of luminaires	Luminaire recessed/surface/wall mounted/suspended
Dimensions	561 mm × 57 mm × 67 mm
Light source	LED MODUL
Type of optical system	Reflector
Luminous flux	1250 lm ± 10 %
Colour Temperature	4000 K cool white
Luminous efficacy	92 lm/W
MacAdam Light source	3
Colour rendering index	90
Beam angle	27°
UGR max. X=4H Y=8H, $\rho=70,50,20$	20.8

Curve



Luminaire power input 13.6 W \pm 10 %

Connection of the luminaires Electronic ballast non-dimmable

Electrical voltage 220-240V

Frequency 50/60Hz

  IP 20

Downloads

Installation instructions



Photos



Accessories


00-00300, N
wire suspension
2000mm



00-00301, N
wire suspension
4000mm



00-00302, N
wire suspension
6000mm



00-00350, K
cable 3x0,75 1000mm



00-00352, K
cable 3x0,75 2000mm



00-00358, K
cable 3x0,75 4000mm



00-00360, K
cable 3x0,75 6000mm



00-00370, S
ceiling cup 80x80x32mm



00-00500
wire for emergency
lighting XX-XXXX-20



00-00600, F
ceiling fastening for
luminaires 132-5xxK,
04-2000x, 05-2000x,
09-200x - 1 piece



00-20700, B
2 pcs of wall fastening
Lipo/Lina



04-00200, N
straight connector



04-01200, F
Accessory for gear-tray
release



04-20100, S
2xend cap - metal, 3-
conductor terminal box,
grommet



04-20102, S
2xend cap - plastic, 3-
conductor terminal box,
grommet



04-20900, F
bracket for installation
of suspended type of
profile as recessed
trimless