



Luminaire

Lina60-S

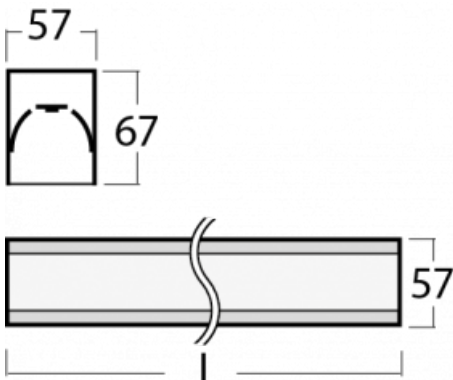
04S-200K-50GGM3/830, S



EPD®

You will appreciate the L-Click system on the Lina60-S luminaire with a direct light distribution, which effectively saves you both time and money. How? The module simply clicks into the profile, so a lot of work is saved during assembly. This solution also prevents the direct touch of the LED technology and lengthens its operating life. The Lina60-S lighting system can be assembled creating endless lines and a big variety of shapes. In addition to great power output, the luminaire also has a great price. It will find its use in commercial, social and public spaces.

Technical drawing



Type of installation	Recessed, Surface, Wall mounted, Suspended, 3 circuit track
Light distribution	Direct
Luminaire shape	Linear
Colour of the luminaires	Silver
Material	Aluminium
Lifetime	L90/B50 50 000 hours
Warranty	5 years
Description of luminaires	Luminaire recessed/surface/wall mounted/suspended/3 circuit track
Dimensions	2805 mm × 57 mm × 67 mm
Light source	LED MODUL
Type of optical system	Opal diffuser
Luminous flux*	7790 lm
Colour Temperature	3000 K warm white
Luminous efficacy	126 lm/W
MacAdam Light source	2
Colour rendering index	80
UGR max. X=4H Y=8H, ρ=70,50,20	26.4

Curve



Luminaire power input* 62 W

Connection of the luminaires ON/OFF + 3h emergency

Electrical voltage 220-240V

Frequency 50/60Hz

⊕ CE IP 40

*±10 %

Downloads

Installation instructions



Photos



Accessories


00-00300, N
wire suspension
2000mm



00-00301, N
wire suspension
4000mm



00-00302, N
wire suspension
6000mm



00-00370, S
ceiling cup 80x80x32mm



00-00600, F
ceiling fastening for
luminaires 132-5xxK,
04-2000x, 05-2000x,
09-200x - 1 piece



00-20700, S
2 pcs of wall fastening
Lipo/Lina



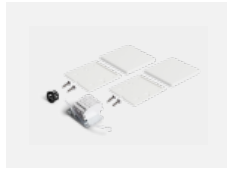
04-00200, N
straight connector



04-01200, F
Accessory for gear-tray
release



04-20101, S
2xend cap - metal, 5-
conductor terminal box,
grommet



04-20103, S
2xend cap - plastic, 5-
conductor terminal box,
grommet



04-20900, F
bracket for installation
of suspended type of
profile as recessed
trimless



04-21303, S
pendant profile for track
luminaires; l = 1122mm



04-21307, S
pendant profile for track
luminaires; l = 2242mm