

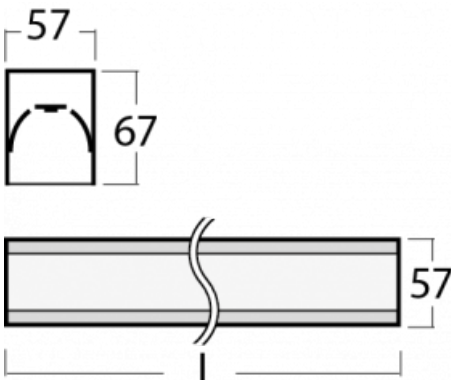

**Luminaire**

# Lina60-S

04S-200K-40GEM3/830, W


**EPD®**

You will appreciate the L-Click system on the Lina60-S luminaire with a direct light distribution, which effectively saves you both time and money. How? The module simply clicks into the profile, so a lot of work is saved during assembly. This solution also prevents the direct touch of the LED technology and lengthens its operating life. The Lina60-S lighting system can be assembled creating endless lines and a big variety of shapes. In addition to great power output, the luminaire also has a great price. It will find its use in commercial, social and public spaces.

**Technical drawing**


Type of installation	Recessed, Surface, Wall mounted, Suspended, 3 circuit track
----------------------	---

Light distribution	Direct
--------------------	--------

Luminaire shape	Linear
-----------------	--------

Colour of the luminaires	White
--------------------------	-------

Material	Aluminium
----------	-----------

Lifetime	L90/B50 50 000 hours
----------	----------------------

Warranty	60 months
----------	-----------

Description of luminaires	Luminaire recessed/surface/wall mounted/suspended/3 circuit track
---------------------------	---

Dimensions	2244 mm × 57 mm × 67 mm
------------	-------------------------

Weight	5.9 kg
--------	--------

Light source	LED MODUL
--------------	-----------

Type of optical system	Opal diffuser
------------------------	---------------

Luminous flux	4060 lm ± 10 %
---------------	----------------

Colour Temperature	3000 K warm white
--------------------	-------------------

Luminous efficacy	137 lm/W
-------------------	----------

MacAdam Light source	2
----------------------	---

Colour rendering index	80
------------------------	----

UGR max. X=4H Y=8H, ρ=70,50,20	24.9
-----------------------------------	------

## Curve



Luminaire power input 29.6 W ± 10 %

Connection of the luminaires Electronic ballast non-dimmable with 3h emergency

Electrical voltage 220-240V

Frequency 50/60Hz

⊕ CE IP 40

## Downloads

Installation instructions



Photos



**Accessories**


**00-00300, N**  
wire suspension  
2000mm



**00-00301, N**  
wire suspension  
4000mm



**00-00302, N**  
wire suspension  
6000mm



**00-00370, W**  
ceiling cup 80x80x32mm



**00-00600, F**  
ceiling fastening for  
luminaires 132-5xxK,  
04-2000x, 05-2000x,  
09-200x – 1 piece



**00-20700, W**  
2 pcs of wall fastening  
Lipo/Lina



**04-00200, N**  
straight connector



**04-01200, F**  
Accessory for gear-tray  
release



**04-20101, W**  
2xend cap - metal, 5-  
conductor terminal box,  
grommet



**04-20103, W**  
2xend cap - plastic, 5-  
conductor terminal box,  
grommet



**04-20900, F**  
bracket for installation  
of suspended type of  
profile as recessed  
trimless



**04-21303, W**  
pendant profile for track  
luminaires; l = 1122mm



**04-21307, W**  
pendant profile for track  
luminaires; l = 2242mm