

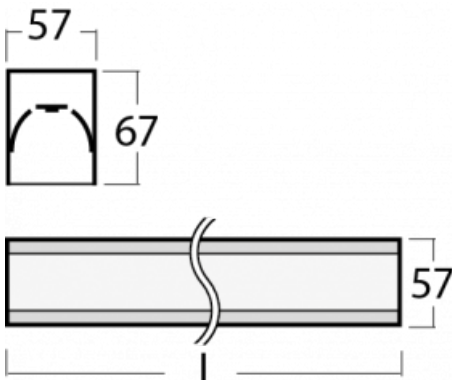

Luminaire

Lina60-S

04S-200I-35GEE/830, B


EPD®

You will appreciate the L-Click system on the Lina60-S luminaire with a direct light distribution, which effectively saves you both time and money. How? The module simply clicks into the profile, so a lot of work is saved during assembly. This solution also prevents the direct touch of the LED technology and lengthens its operating life. The Lina60-S lighting system can be assembled creating endless lines and a big variety of shapes. In addition to great power output, the luminaire also has a great price. It will find its use in commercial, social and public spaces.

Technical drawing


| | |
|----------------------|---|
| Type of installation | Recessed, Surface, Wall mounted, Suspended, 3 circuit track |
|----------------------|---|

| | |
|--------------------|--------|
| Light distribution | Direct |
|--------------------|--------|

| | |
|-----------------|--------|
| Luminaire shape | Linear |
|-----------------|--------|

| | |
|--------------------------|-------|
| Colour of the luminaires | Black |
|--------------------------|-------|

| | |
|----------|-----------|
| Material | Aluminium |
|----------|-----------|

| | |
|----------|----------------------|
| Lifetime | L90/B50 50 000 hours |
|----------|----------------------|

| | |
|----------|---------|
| Warranty | 5 years |
|----------|---------|

| | |
|---------------------------|---|
| Description of luminaires | Luminaire recessed/surface/wall mounted/suspended/3 circuit track |
|---------------------------|---|

| | |
|------------|-------------------------|
| Dimensions | 1964 mm × 57 mm × 67 mm |
|------------|-------------------------|

| | |
|--------|--------|
| Weight | 3.5 kg |
|--------|--------|

| | |
|--------------|-----------|
| Light source | LED MODUL |
|--------------|-----------|

| | |
|------------------------|-------------|
| Type of optical system | Microprisma |
|------------------------|-------------|

| | |
|----------------|---------|
| Luminous flux* | 1580 lm |
|----------------|---------|

| | |
|--------------------|-------------------|
| Colour Temperature | 3000 K warm white |
|--------------------|-------------------|

| | |
|-------------------|----------|
| Luminous efficacy | 115 lm/W |
|-------------------|----------|

| | |
|----------------------|---|
| MacAdam Light source | 2 |
|----------------------|---|

| | |
|------------------------|----|
| Colour rendering index | 80 |
|------------------------|----|

| | |
|-----------------------------------|------|
| UGR max. X=4H Y=8H, ρ=70,50,20 | 18.2 |
|-----------------------------------|------|

Curve



Luminaire power input* 13.7 W

Connection of the luminaires ON/OFF

Electrical voltage 220-240V

Frequency 50/60Hz

⊕ CE IP 40

* $\pm 10\%$

Downloads

Installation instructions



Photos



Accessories


00-00300, N
wire suspension
2000mm



00-00301, N
wire suspension
4000mm



00-00302, N
wire suspension
6000mm



00-00350, K
cable 3x0,75 1000mm



00-00352, K
cable 3x0,75 2000mm



00-00358, K
cable 3x0,75 4000mm



00-00360, K
cable 3x0,75 6000mm



00-00363, K
cable 5x1,5 2000mm



00-00364, K
cable 5x1,5 4000mm



00-00365, K
cable 5x1,5 6000mm



00-00370, B
ceiling cup 80x80x32mm



00-00501
wire for emergency
lighting XX-XXXX-40



00-00600, F
ceiling fastening for
luminaires 132-5xxK,
04-2000x, 05-2000x,
09-200x - 1 piece



00-20700, B
2 pcs of wall fastening
Lipo/Lina



04-00200, N
straight connector



04-01200, F
Accessory for gear-tray
release



04-20100, B
2xend cap - metal, 3-
conductor terminal box,
grommet



04-20102, B
2xend cap - plastic, 3-
conductor terminal box,
grommet



04-20900, F
bracket for installation
of suspended type of
profile as recessed
trimless



04-21303, B
pendant profile for track
luminaires; l = 1122mm



04-21307, B
pendant profile for track
luminaires; l = 2242mm