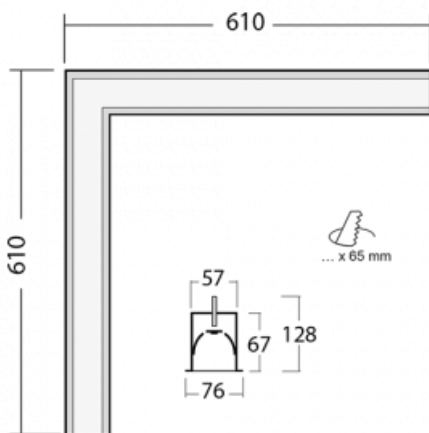

**Luminaire**

# Lina60-S

04S-020I-20GEE/840, W


**EPD<sup>®</sup>**

You will appreciate the L-Click system on the Lina60-S luminaire with a direct light distribution, which effectively saves you both time and money. How? The module simply clicks into the profile, so a lot of work is saved during assembly. This solution also prevents the direct touch of the LED technology and lengthens its operating life. The Lina60-S lighting system can be assembled creating endless lines and a big variety of shapes. In addition to great power output, the luminaire also has a great price. It will find its use in commercial, social and public spaces.

**Technical drawing**


|                                   |                         |
|-----------------------------------|-------------------------|
| Type of installation              | Recessed                |
| Light distribution                | Direct                  |
| Luminaire shape                   | Corner                  |
| Colour of the luminaires          | White                   |
| Material                          | Aluminium               |
| Lifetime                          | L90/B50 50 000 hours    |
| Warranty                          | 5 years                 |
| Description of luminaires         | Luminaire recessed      |
| Dimensions                        | 610 mm × 610 mm × 67 mm |
| Light source                      | LED MODUL               |
| Type of optical system            | Microprisma             |
| Luminous flux*                    | 940 lm                  |
| Colour Temperature                | 4000 K cool white       |
| Luminous efficacy                 | 121 lm/W                |
| MacAdam Light source              | 2                       |
| Colour rendering index            | 80                      |
| UGR max. X=4H<br>Y=8H, ρ=70,50,20 | 18.4                    |

|                              |          |
|------------------------------|----------|
| Luminaire power input*       | 7.8 W    |
| Connection of the luminaires | ON/OFF   |
| Electrical voltage           | 220-240V |
| Frequency                    | 50/60Hz  |

  IP 40

\*±10 %

## Downloads

Installation instructions



Photos



## Accessories



**00-00500**  
wire for emergency  
lighting XX-XXXX-20



**04-00100, W**  
2xend cap - metal, 3-  
conductor terminal box,  
grommet



**04-00200, N**  
straight connector



**04-01200, F**  
Accessory for gear-tray  
release