

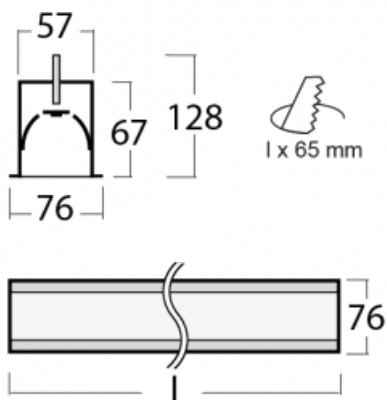

Luminaire

Lina60-S

04S-000K-50GGE/830, B


EPD®

You will appreciate the L-Click system on the Lina60-S luminaire with a direct light distribution, which effectively saves you both time and money. How? The module simply clicks into the profile, so a lot of work is saved during assembly. This solution also prevents the direct touch of the LED technology and lengthens its operating life. The Lina60-S lighting system can be assembled creating endless lines and a big variety of shapes. In addition to great power output, the luminaire also has a great price. It will find its use in commercial, social and public spaces.

Technical drawing


| | |
|-----------------------------------|-------------------------|
| Type of installation | Recessed |
| Light distribution | Direct |
| Luminaire shape | Linear |
| Colour of the luminaires | Black |
| Material | Aluminium |
| Lifetime | L90/B50 50 000 hours |
| Warranty | 60 months |
| Description of luminaires | Luminaire recessed |
| Dimensions | 2805 mm × 76 mm × 67 mm |
| Light source | LED MODUL |
| Type of optical system | Opal diffuser |
| Luminous flux | 7790 lm ± 10 % |
| Colour Temperature | 3000 K warm white |
| Luminous efficacy | 126 lm/W |
| MacAdam Light source | 2 |
| Colour rendering index | 80 |
| UGR max. X=4H Y=8H, ρ=70,50,20 | 26.4 |

Curve



Luminaire power input 62 W ± 10 %

Connection of the luminaires Electronic ballast non-dimmable

Electrical voltage 220-240V

Frequency 50/60Hz

⊕ CE IP 40

Downloads

Installation instructions



Photos



Accessories



00-00501
wire for emergency
lighting XX-XXXX-40



04-00100, B
2xend cap - metal, 3-
conductor terminal box,
grommet



04-00200, N
straight connector



04-01200, F
Accessory for gear-tray
release